



BA type backflow preventer with multifunction geometry

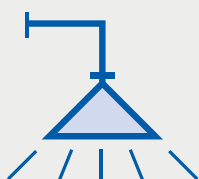
580 series

www.caleffi.com



PCT
INTERNATIONAL
APPLICATION
PENDING

- Hydraulic network protection for fluids up to category 4 according to EN 1717 with BA type backflow preventer certified to EN 12729.
- Easy checking and maintenance thanks to extractable cartridge.
- Serviceable built-in upstream strainer and adjustable discharge tundish.
- Suitable for both fixed and temporary applications.
- One body, three possible configurations: in line (for horizontal and vertical pipe), for temporary applications with and without inlet shut-off valve.
- Wide range of applications according to EN 1717: domestic, industrial, commercial, agriculture.



CALEFFI
Hydronic Solutions

PRODUCT RANGE



With union

CODE	BODY	CONNECTIONS
580040	DN 15	1/2" M x 1/2" M
580050	DN 20	3/4" M x 3/4" M
580060	DN25	1" M x 1" M
580070	DN32	1 1/4" M x 1 1/4" M

Certified to EN 12729



With hose connection

CODE	BODY	CONNECTIONS
580150	DN 20	3/4" nut x 3/4" M

Certified to EN 12729 and Beschluss 4/2007 standard



With hose connection

CODE	BODY	CONNECTIONS
580240	DN 15	1/2" M x 3/4" M*
580250	DN 20	3/4" M x 3/4" M*

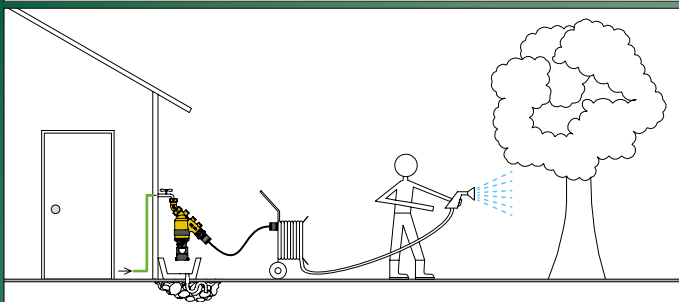
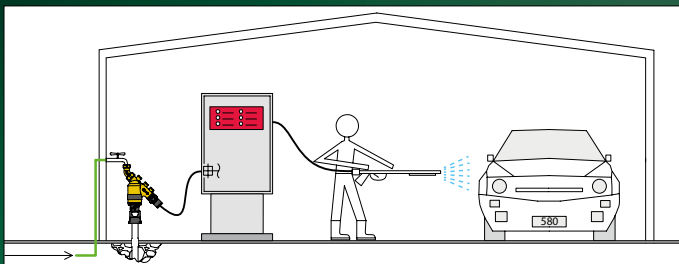
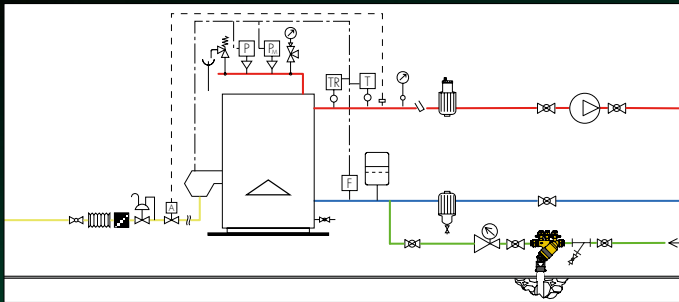
Certified to EN 12729 and W570-3



TECHNICAL SPECIFICATIONS

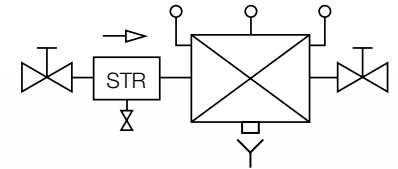
Description	BA type - EN 12729
Max. working pressure	10 bar
Max. working temperature	65°C

APPLICATION DIAGRAMS



TECHNICAL FEATURES

BA type protection Unit according to EN 1717 standard.

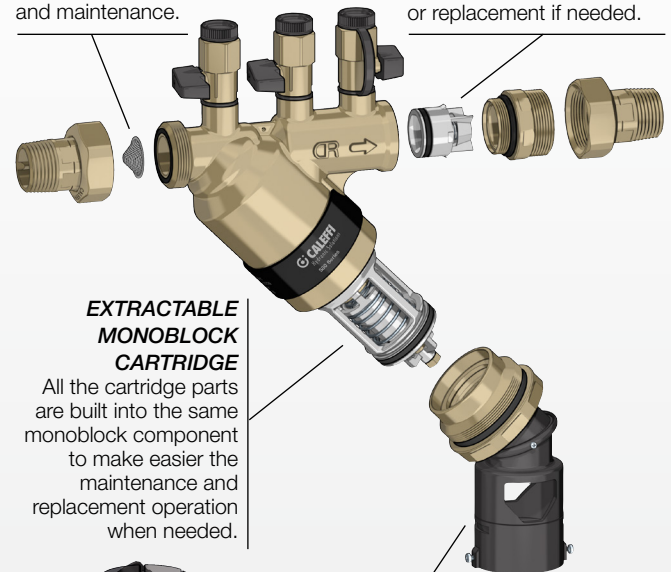


UPSTREAM STRAINER

Built into the union, easily accessible for checking and maintenance.

CHECK VALVE

Check valve holder locking ring with O-ring easily removable for maintenance or replacement if needed.



EXTRACTABLE MONOBLOCK CARTRIDGE

All the cartridge parts are built into the same monoblock component to make easier the maintenance and replacement operation when needed.



ADJUSTABLE DISCHARGE TUNDISH

The adjustable discharge tundish makes it possible to use the same body for horizontal, vertical and temporary installations with tap connection and hose connections at the outlet.

REFERENCE DOCUMENTATION:

580 series

- Tech. brochure 01322

CALEFFI
Hydronic Solutions

Caleffi S.p.A. S.R. 229 n. 25 · 28010 Fontaneto d'Agogna (NO) · Italy
Tel. +39 0322 8491 · Fax +39 0322 863723
info@caleffi.com · www.caleffi.com · © Copyright 2019 Caleffi

0357619GB

WE RESERVE THE RIGHT TO CHANGE OUR PRODUCTS AND THEIR RELEVANT TECHNICAL DATA, CONTAINED IN THIS PUBLICATION, AT ANY TIME AND WITHOUT PRIOR NOTICE.